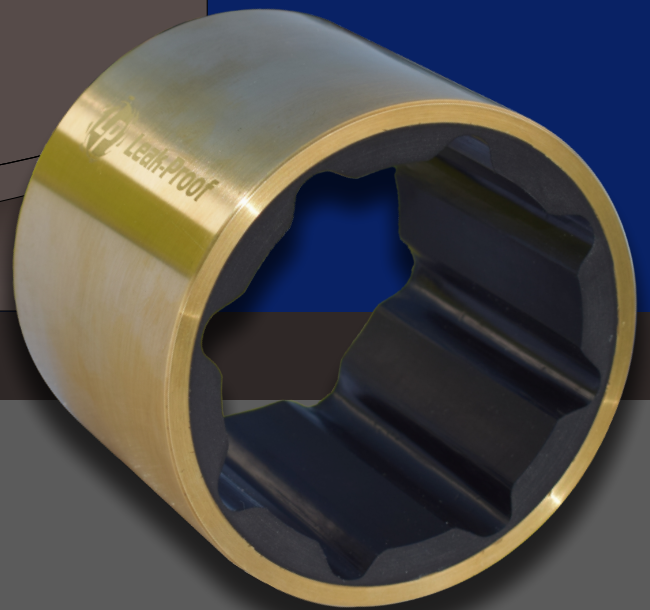
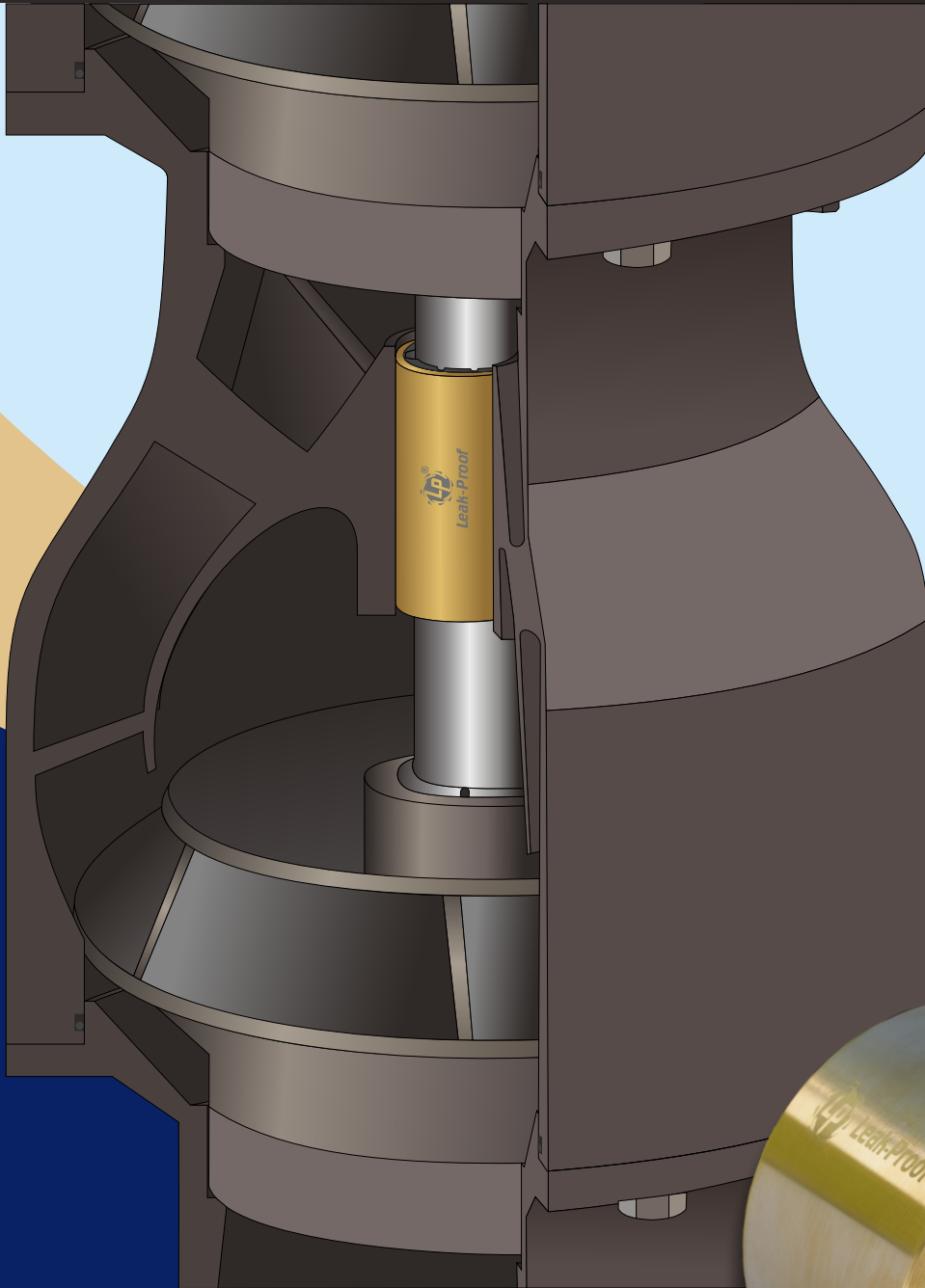




SINCE 1973

Leak-Proof Engineering (I) Pvt. Ltd.



**CUTLASS
BEARING**

Cutlass Bearings For Superior Pumping Applications

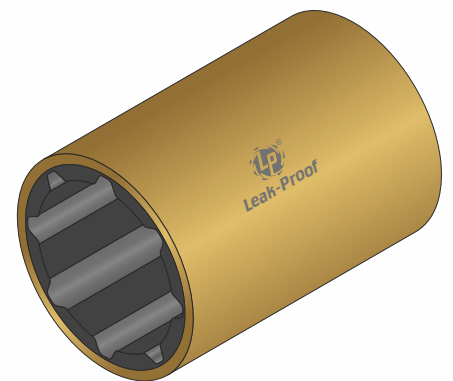
At Leak-Proof®, we take pride in delivering exceptional Cutlass Bearings designed for a wide range of heavy-duty pump applications. Our Cutlass Bearings feature a specially formulated nitrile moulded rubber lining securely bonded to a durable shell material.

Our Cutlass Bearing design emphasises the longevity and efficiency of your equipment. Our bearings feature an innovative inner groove design combined with our proprietary rubber compound, creating a hydrodynamic lubricating film even at low shaft RPM. These precision-engineered grooves optimize water flow, dissipate frictional heat, and effectively flush out abrasive grit, providing robust protection to the shaft, sleeve, and bearings. Moreover, our bearings excel in vibration absorption, surpassing other rigid thermoplastic bearings in durability against friction. This ensures the smooth and silent operation of your equipment. With Leak-Proof®, you get superior protection and vibration control in one comprehensive solution.

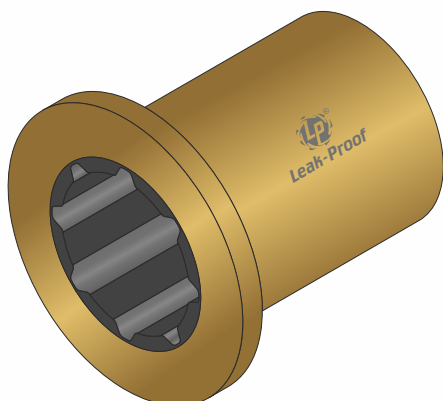
Versatile Shell Materials

Sleeve Bearings

Our sleeve bearings come with seamless brass shells, ensuring robust performance. We also offer options with rugged non-metallic shells to meet specific needs.



Cylindrical Shell



Flanged Shell

Flanged Bearings

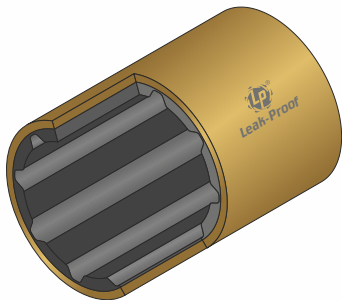
For flanged bearings, we use one-piece centrifugally cast bronze shells with integral flanges, providing superior strength and reliability.

Additionally, we can provide other shell materials, such as Stainless Steel (all grades), Bronze (all grades), Cast Iron, Mild-Steel, and Phenolic (Non-metallic) upon request.

Exceptional Rubber Lining

The rubber lining in our Cutlass Bearings is made from a proprietary formulation of extremely tough chemical and oil-resistant nitrile. This ensures efficient water lubrication and long-lasting performance, even in severe or demanding environments.

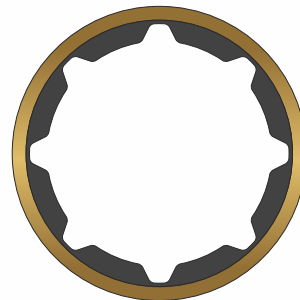
Our Cutlass bearings offer a versatile range of rubber lining options. Choose between Fluted and Spiral designs, and within the Fluted option, explore both Circular and Polygon profiles to precisely meet your application's needs.



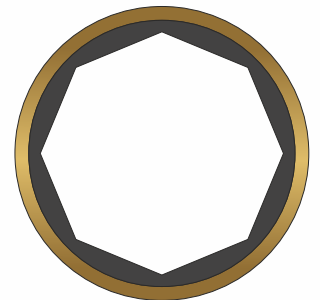
Fluted Shell



Spiral Shell



Circular Shell



Polygon Shell

Precision Machining And Inspection

At Leak-Proof®, we understand the importance of precision. All our bearings are precision machined to close tolerances, ensuring a perfect fit for your application. Each bearing undergoes rigorous inspection to meet our high-quality standards.

In addition to Nitrile rubber, we provide a diverse range of lining options including Neoprene, Natural rubber, EPDM, PTFE Graphite Filler, PTFE Bronze Filler, and Carbon.

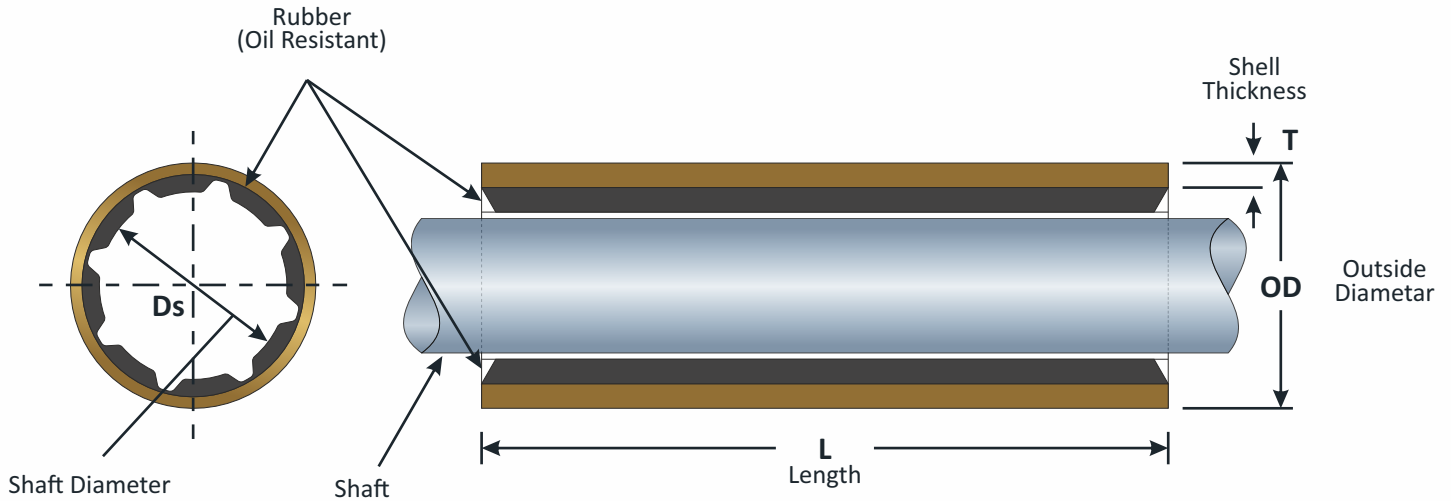
Bond Strength

Our industry-leading rubber-to-metal and rubber-to-composite shell bonding techniques. Developed by Leak-Proof®, these techniques ensure the secure bonding of rubber to metal and rubber to composite materials. Our bearings boast an industry-leading bond strength of 235 PSI (16.5 Kg/Cm²).

Bespoke Design Solutions

We understand that every product is unique, that's why we offer bespoke design solutions for our Cutlass Bearings. Our team of experts is fully equipped to manufacture bearings tailored to your precise specifications. Whether you require specific dimensions or have unique design requirements, we have the flexibility and expertise to craft the perfect solution for your needs. With Leak-Proof®, you can expect a truly customized approach to meet your engineering challenges.

Choose Leak-Proof® for top-tier Cutlass Bearings that guarantee reliability and efficiency in your pumping operations. Contact us today to discuss how our bearings can meet your specific needs and elevate your product performance to new heights.



Ds Shaft Diameter	OD Outside Diameter	L Length	T Shell Thickness
25	40	100	2.5
30	45	120	2.5
35	50	140	3
40	55	160	3
45	65	180	3
50	70	200	3
55	75	220	3
60	80	240	3
65	85	260	3
70	90	280	3
75	95	300	3
80	100	320	3
85	105	340	3
90	110	360	3
95	115	380	3
100	125	400	4.75
105	130	420	4.75
110	135	440	4.75
115	145	460	4.75
120	155	480	6.25
125	160	500	6.25
130	170	520	6.25
135	175	540	6.25
140	180	560	6.25
145	185	580	6.25
150	190	600	6.25

All dimensions are in millimetres.



SINCE 1973

Leak-Proof Engineering (I) Pvt. Ltd.

HEAD OFFICE

KHADIJA HOUSE, PLOT NO. 36(B), PUSHTIKAR C.H.S LTD, B R NAGAR, JOGESHWARI (WEST), MUMBAI - 400 102. INDIA.

PHONE: +91 22 2679 7771, 7773, 7774, 7776

• E-mail: ho@leakproofseals.com • Website: www.leakproofseals.com

MANUFACTURING UNIT

BLOCK - A, B & C, EDR INDUSTRIAL ESTATE, PIROJPURA, NEAR CHHAPI, TALUKA VADGAM, DIST. BANASKANTHA, NORTH GUJARAT 385 210, INDIA.

PHONE: +91 98250 24144, +91 97277 23477, +91 2739 270 151, 270 152 • E-mail: mfg@leakproofseals.com

BRANCHES

Ahmedabad
ahmedabad@leakproofseals.com

Assam
assam@leakproofseals.com

Bengaluru
bengaluru@leakproofseals.com

Baroda
baroda@leakproofseals.com

Bharuch
bharuch@leakproofseals.com

Bhuvaneshwar
bhuvaneshwar@leakproofseals.com

Chandigarh
chandigarh@leakproofseals.com

Chennai
chennai@leakproofseals.com

Coimbatore
coimbatore@leakproofseals.com

Delhi
delhi@leakproofseals.com

Hyderabad
hyderabad@leakproofseals.com

Jamshedpur
jamshedpur@leakproofseals.com

Kochi
kochi@leakproofseals.com

Kolkata
kolkata@leakproofseals.com

Mumbai
saleslp@leakproofseals.com

Pune
pune@leakproofseals.com

Raipur
raipur@leakproofseals.com

Surat
surat@leakproofseals.com

Vapi
vapi@leakproofseals.com

Vizag
vizag@leakproofseals.com

INTERNATIONAL BRANCHES

LP Argentina
agrosso@solucionesmro.com.ar

LP Bangladesh
lpbangladesh@edrgroup.in

LP Canada
lpcanada@edrgroup.in

LP Indonesia
lpindonesia@edrgroup.in

LP Iran
lpiran@edrgroup.in

LP Malaysia
lpmalaysia@edrgroup.in

LP Nigeria
lpnigeria@edrgroup.in

LP Oman
lpoman@edrgroup.in

LP Philippines
ultimindcorp@ultimind.com.ph

LP Saudi Arabia
bap@edrgroup.in
lpksa@edrgroup.in

LP UAE - Abu Dhabi
lpabudhabi@edrgroup.in

LP UAE - Dubai
lpdubai@edrgroup.in

LP USA
lpusa@edrgroup.in

LP Vietnam
lpvietnam@edrgroup.in

